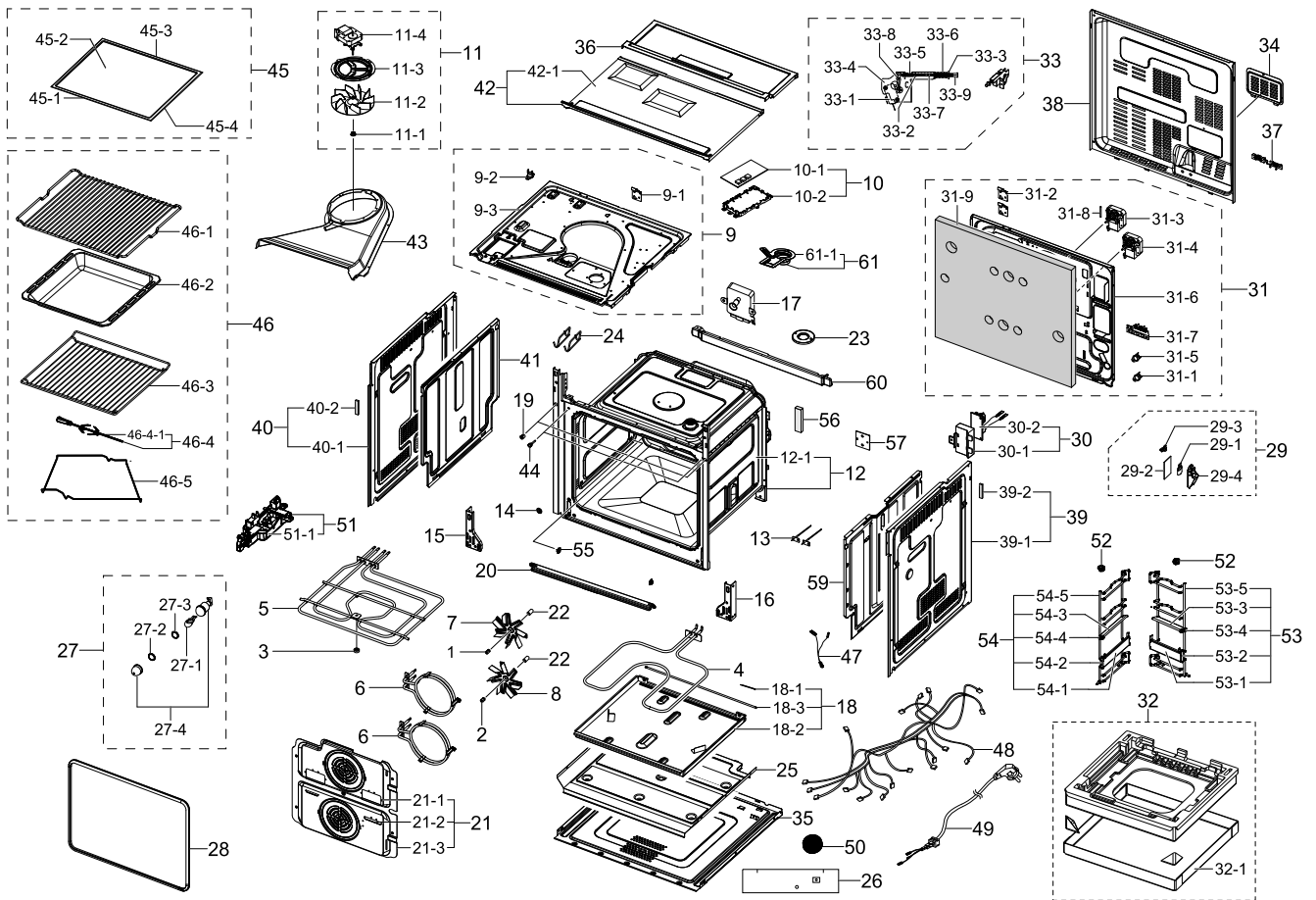


1. NV70F7796MS/EF

Exploded View



Parts List

No.	Lvl.	Loc.	Material Code	Description & Specification	SNA	Qty.
1	2	X107	6021-001208	NUT-HEXAGON CAP; M4,NI PLT,SWRCH10A	SNA	1
2	2	X107	6021-001211	NUT-HEXAGON CAP; M4,NI PLT,SWRCH10A,LEFT	SNA	1
3	2	H024	DE60-30016A	NUT-FLANGE; MSWR-SWRM,MSWR10	SA	2
4	2	M224	DG47-00007A	HEATER SHEATH-BOTTOM; SHB-BT63E,E-OVEN,SU	SA	1
5	2	M007	DG47-00025A	HEATER SHEATH-GRILL; BT62FQBPST,2700W,230	SA	1
6	2	H048	DG47-00009A	HEATER SHEATH-CONVECTION; SHC-BT63E,BT63B	SA	2
7	2	H057	DG67-00001B	FAN-CONVECTION UPPER; BT62FQBPST,ALCOT,Pi	SA	1
8	2	H058	DG67-00011B	FAN-CONVECTION LOWER; BT62FQBPST,ALCOT,Pi	SA	1
9	2	P214	DG96-00037K	ASSY BRACKET UPPER; NV70F7796MS/EF,NEO PY	SA	1

Exploded Views and Parts List

No.	Lvl.	Loc.	Material Code	Description & Specification	SNA	Qty.
9-1	3	H111	DE61-50490A	BRACKET-TCO; EGI-SECC,T0.5,34,47	SA	2
9-2	3	M032	DG47-00010B	THERMOSTAT; NT-103NC,250V,15A,1205,0,25	SA	2
9-3	3	M003	DG61-00191B	BRACKET-UPPER; BF62CBST(SINGLE),GI-SGCD,T	SNA	1
10	2	C164	DG94-00712G	ASSY HOLDER PCB; NV70F7796ES/EU,MAIN,NEO	SNA	1
10-1	3	F316	DE92-03030H	ASSY PCB MAIN; NV70F7796MS/EF,24MD-MAIN,2	SA	1
10-2	3	C195	DG61-00450A	HOLDER-PCB MAIN; GVE MODEL,PP,NTR,FH44N	SA	1
11	2	M258	DG96-00318A	ASSY MOTOR-COOLING; NV70F7796MS/EF,230V50	SA	1
11-1	3	H024	DE60-30016A	NUT-FLANGE; MSWR-SWRM,MSWR10	SA	1
11-2	3	M261	DG67-00064A	FAN-COOLING; NV70F7796MS,PA66,D178.6,BLAD	SNA	1
11-3	3		DG61-00648A	SUPPORT-MOTOR COOLING; NV70F7796MS,GI-SGC	SNA	1
11-4	3	M023	DG31-00016A	MOTOR AC FAN; SMF-EBF62A,2,230V,50Hz,35W,	SNA	1
12	2	Y103	DG94-00924A	ASSY CAVITY COATING; NEO PYRO,70L,ENAMEL	SNA	1
12-1	3		DG94-00374Z	ASSY CAVITY WELDING; NEO PYRO,70L,HALOGEN	SNA	1
13	2	M300	DG32-00004A	THERMISTOR-SENSOR; PT-SENSOR	SA	2
14	2	M262	6031-001545	WASHER-SPRING; STS430,ID5,OD11.8,T0.3,Dar	SA	4
15	2	M294	DG61-00255A	SUPPORT-HINGE LEFT; JM PYROLYTIC,GI-SGCC,	SA	1
16	2	M293	DG61-00256A	SUPPORT-HINGE RIGHT; JM PYROLYTIC,GI-SGCC	SA	1
17	2	M277	DG31-00003A	MOTOR AC DRIVE; 323,BT63BSST,8,230V,50/60	SA	1
18	2	P229	DG97-00105B	ASSY COVER-BOTTOM HEATER; BT62FQBPST,-,-,	SA	1
18-1	3	U028	DG47-00027A	HOLDER-R PIN; BT62FQBPST	SA	1
18-2	3	M241	DG63-00007A	COVER-BOTTOM HEATER; BT63BSST,GI-SGCC,T0.	SNA	1
18-3	3	U029	DG66-00014A	WIRE-COVER BOTTOM HEATER; BT62FQBPST,STAI	SA	1
19	2	M242	DG63-00119A	COVER-SCREW; BT65FQBPST,ABS,PYROLYTIC,HG0	SA	2
20	2		DG64-00413A	DOOR-GUTTER; NEO PJT,GA,T0.5,BLACK-COATIN	SA	1
21	2	H005	DG94-00260H	ASSY COVER CASING; NV70F7796MS,SPP,NEO PY	SA	1
21-1	3		DG61-00371A	BRACKET-CASING GUIDE; BF691CST,SPP,T0.8,-	SA	2

No.	Lvl.	Loc.	Material Code	Description & Specification	SNA	Qty.
21-2	3		DG61-00372A	BRACKET-CASING LOWER; BT691CSST,SPP,T0.6,	SNA	1
21-3	3	H015	DG63-00167E	COVER-CASING; NEO PJT,SPP,T0.8,W401,L374.	SNA	1
22	2	H049	DG60-00001A	SPACER-FAN CONVECTION; BT63BSST,STKM11A,L	SA	2
23	2		DG94-00750A	ASSY DUCT-PIPE; NV6786BNESR,NEO PJT	SA	1
24	2		DG64-00470A	HANDLE GRIP; BT62FQBPST,STAINLESS-ST5430,	SA	2
25	2	P280	DG63-00083A	COVER-ADIABATIC LOWER; BT62FQBPST,GI-SGCC	SA	1
26	2	M333	DG62-00015A	ADIABATIC-MAIN; BT62FQBPST,CERAMIC WOOL,T	SNA	1
27	2	M248	DG97-00011D	ASSY LAMP BULB; BQ2Q7G069,PYROLYTIC,Sunli	SA	1
27-1	3	U013	DE47-00040B	LAMP-HALOGEN; G9,40W,230V,FROST BULB	SA	1
27-2	3	M265	DG63-00029A	COVER-RING BULB; BT63BSST,STAINLESS-ST530	SA	1
27-3	3	M250	DG63-00098A	SHEET-RING BULB; BT62FQBPST,ST5304,T0.5,W	SA	1
27-4	3	M249	DG97-00012B	ASSY LAMP BULB-SUB; BT62FQBPST,-,-,PYRO	SA	1
28	2	M370	DG63-00095A	GASKET-DOOR; BT62FQBPST,FIBER GLASS,FIBER	SA	1
29	2	SA	DG97-00033C	ASSY-LAMP HALOGEN; BT62FQBPST,-,350M254	1	
29-1	3	U105	DG47-00006A	LAMP-HALOGEN; BT63BSST / BWT,40W,230V,TWI	SA	1
29-2	3	M255	DG63-00027B	COVER-LAMP HALOGEN; BT62FQBPST,GLASS,PYRO	SNA	1
29-3	3	M256	DG70-00001A	HOOK-COVER HALOGEN; BT63BSST / BWT,SK5,T0	SNA	1
29-4	3	M538	DG97-00013C	ASSY LAMP-HALOGEN SUB; BT62FQBPST,-,230V/	SC	1
30	2		DG94-00385C	ASSY HOLDER NOISE FILTER; STEAM _ JUPITER	SA	1
30-1	3	M264	DG61-00444C	HOLDER-NOISE FILTER; BI-SINGLE,PBT+GF,BLA	SA	1
30-2	3	M017	DG96-00021A	ASSY NOISE FILTER; -,SN-BF63,250V15A,E-OV	SA	1
31	2		DG94-00395R	ASSY COVER ADIABATIC-REAR; BT62FQBPST,GI,	SA	1
31-1	3	M451	DE47-20032B	THERMOSTAT; NT-101,125/250V,855,755,1	SA	1
31-2	3	H111	DE61-50490A	BRACKET-TCO; EGI-SECC,T0.5,34,47	SA	2
31-3	3	H001	DG31-00018A	MOTOR AC CONVECTION; 24" OVEN,SMC-EBQV1A,	SA	1

Exploded Views and Parts List

No.	Lvl.	Loc.	Material Code	Description & Specification	SNA	Qty.
31-4	3	H001	DG31-00019A	MOTOR AC CONVECTION; LOBSTAR,SMC-EBQV1B,2	SA	1
31-5	3	M032	DG47-00010B	THERMOSTAT; NT-103NC,250V,15A,1205,0,25	SA	2
31-6	3	P258	DG63-00202A	COVER-ADIABATIC REAR; BQ3N3T020,GI-SGCC,T	SNA	1
31-7	3	G005	DG65-00002A	TERMINAL BLOCK; BT63BSST,PA66,6 sqmm,BROW	SA	1
31-8	3	M413	DG62-00021B	TUBE-GLASS; BQ3N3T,GLASS FIBER,4.1,40MM,3	SNA	2
31-9	3	P287	DG62-00014A	ADIABATIC-REAR; BT62FQBPST,CERAMIC WOOL,T	SNA	1
32	2		DG98-01043C	ASSY PACKING-BOTTOM; 24" Shrinkage,W680 D	SNA	1
32-1	3		DG69-00143B	PAD BOTTOM; 24" Shrinkage(2011),CB,805,96	SNA	1
33	2		DG97-00014F	ASSY-PARTITION SWITCH; PYRO-MODEL,cap-sha	SA	1
33-1	3	B048	3405-001034	SWITCH-MICRO; 125/250VAC,16A,200gf,SPST-N	SA	1
33-2	3		6044-000307	RING-E; ID3.0,OD7.0,T0.6,ZPC(BLK),STS304	SNA	1
33-3	3	H008	DE60-40026A	WASHER-PLAIN; STAINLESS-STS304,OD12,T1.0,	SNA	1
33-4	3		DG61-00025A	BRACKET-PARTITION SWITCH; BT63BSST,GI-SGC	SNA	1
33-5	3	B030	DG61-00068B	SPRING ETC-PARTITION; BT62FQBPST,STAINLES	SNA	1
33-6	3		DG61-00258A	SPRING ETC-RING; BT62FQBPST,STAINLESS-STS	SNA	1
33-7	3		DG66-00003A	SHAFT-PARTITION SWITCH; BT63BSST,MSWR-SWR	SNA	1
33-8	3		DG66-00008A	LEVER-SWITCH PARTITION; BT63BSST,PA66,-,-	SNA	1
33-9	3	B033	DG67-00030A	CAP-SHAFT PARTITION; basic 24 oven,STAINL	SNA	1
34	2	H050	DG61-00031A	BRACKET-AS COVER; BT63BSST,GI-SGCC,T0.6,W	SA	1
35	2	U075	DG61-00051A	BASE-BOTTOM; BT63BSST,GI-SGCD,T0.5,W555,L	SNA	1
36	2	H052	DG61-00053A	CASE-UPPER B; BT63BSST,GI-SGCC,T0.5,-,BI	SA	1
37	2		DG61-00405A	HOLDER-CABLE; DX6292K,PA66,WHT	SA	1
38	2	P186	DG63-00009B	COVER-BACK; BT62FQBPST,GI-SGCC,T0.5,W546.	SA	1
39	2		DG94-00328C	ASSY CASE-R; GF94TRT001,COOKER,HANDLE HOL	SA	1
39-1	3	H053	DG61-00654B	CASE-RIGHT; NEO PJT,GI-SGCC,T0.5,W595,L10	SNA	1
39-2	3	P021	DG63-00184B	CUSHION-SPONGE; GF94TRT001,POLYURETHANE F	SNA	1

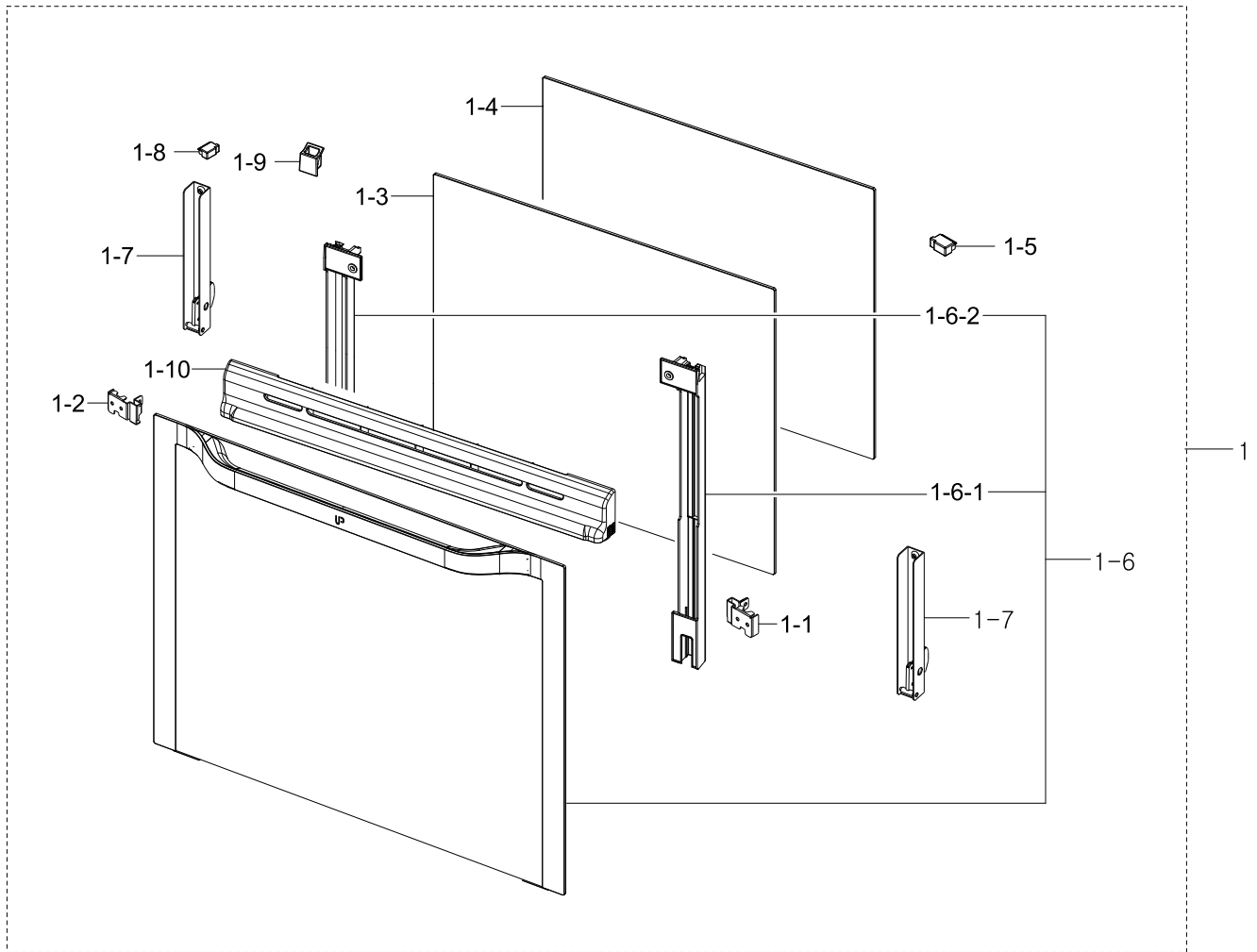
No.	Lvl.	Loc.	Material Code	Description & Specification	SNA	Qty.
40	2		DG94-00329C	ASSY CASE-L; GF94TRT001,COOKER,HANDLE HOL	SA	1
40-1	3	H054	DG61-00655B	CASE-LEFT; NEO PJT,GI-SGCC,T0.5,W600,L533	SNA	1
40-2	3	P021	DG63-00184B	CUSHION-SPONGE; GF94TRT001,POLYURETHANE F	SNA	1
41	2	P282	DG63-00085A	COVER-ADIABATIC-L/R; BT62FQBPST,GI-SGCC,T	SA	1
42	2	H094	DG94-00361A	ASSY CASE-UPPER; BF641FST,GI,T0.5	SA	1
42-1	3	H051	DG61-00052A	CASE-UPPER A; BT63BSST,GI-SGCC,T0.5,W570.	SNA	1
43	2		DG63-00282A	COVER-COOLING UPPER; NV70F7796MS,ALCOT,T0	SNA	1
44	2	M268	DG73-00002A	RUBBER-CUSHION; BT63BSST,SILICONE RUBBER,	SA	2
45	2	B034	DG94-00743A	ASSY-PARTITION; NV6786BNESR,NEO PJT	SA	1
45-1	3		DG63-00285A	COVER-PARTITION FRONT; NEO PJT,STAINLESS-	SNA	1
45-2	3	B039	DG67-00070A	PARTITION-UPPER; NEO PJT,SPP,T0.6,W454.2,	SNA	1
45-3	3	B037	DG63-00286A	COVER-PARTITION BACK; NEO PJT,STAINLESS-S	SNA	1
45-4	3	B038	DG67-00071A	PARTITION-LOWER; NEO PJT,SPP,T0.6,W456.8,	SNA	1
46	2		DG98-01027T	ASSY PACKING ACCESSORY; NV70F7796MS,NEO P	SNA	1
46-1	3	M272	DG59-00004A	RACK-WIRE ROAST; BT63BSST,MSWR,W422, L289	SA	1
46-2	3	T176	DG63-00201A	TRAY-BAKING C; BQ3N3T020,SPP,T0.6,W660,L4	SA	1
46-3	3	T030	DG75-01026A	RACK-WIRE; BQ3N3T020,MSWR-SWRM,W461,L352.	SA	1
46-4	3	Z031	DG90-00006A	ASSY PACKING-JACK SPIT; BT63TDFST/XEH,Jac	SNA	1
46-4-1	4	P285	DG61-00080A	SPIT-JACK; BT63BSST,MSWR,CR+3 COATING	SA	1
46-5	3	P225	DG59-00002C	RACK-SPIT WIRE; WIRE RACK SPIT,MSWR,W460.	SA	1
47	2	W006	DG96-00197A	ASSY WIRE HARNESS-E; BQ3N3T013,230/240V;	SA	1
48	2	W002	DG96-00208D	ASSY WIRE HARNESS-A; BQ3Q3T,230/240V; 339	SA	1
49	2	M015	DG96-00084A	ASSY POWER CORD; VDE/KC,Straight,EUROPE/K	SA	1
50	2	P283	DG63-00096A	FILTER-CERAMIC; BT62FQBPST,CERAMIC	SNA	1
51	2		DG94-00786A	ASSY HOLDER-DOOR LOCK; NV70F7796MS,NEO PY	SA	1
51-1	3	D120	DG97-00100A	ASSY-DOOR LOCK; -,BT62FQBPST,-	SA	1

Exploded Views and Parts List

No.	Lvl.	Loc.	Material Code	Description & Specification	SNA	Qty.
52	2	H130	DG94-00332A	ASSY HOLDER-WIRE RACK; GF94TRT001,COOKER	SA	2
53	2		DG94-00826A	ASSY WIRE RACK-RIGHT; NV70F7796MS/EF,TELE	SNA	1
53-1	3		DG61-00342A	BRACKET-PARTITION RAIL RIGHT; TWIN FLAT A	SNA	1
53-2	3		DG61-00344A	HOLDER-RAIL; TELESCOPIC MODEL,STAINLESS-S	SNA	2
53-3	3	P445	DG61-00469A	RAIL-TELESCOPIC R; TELESCOPIC MODEL,STS44	SA	1
53-4	3		DG63-00147A	COVER-PARTITION RAIL-R; E-OVEN,TEFRON,BLK	SNA	1
53-5	3		DG75-01052A	RACK WIRE-RIGHT; NV70F7796MS/EF,MSWR-SWRM	SNA	1
54	2		DG94-00827A	ASSY WIRE RACK-LEFT; NV70F7796MS/EF,TELES	SNA	1
54-1	3		DG61-00343A	BRACKET-PARTITION RAIL LEFT; TWIN FLAT AL	SNA	1
54-2	3		DG61-00344A	HOLDER-RAIL; TELESCOPIC MODEL,STAINLESS-S	SNA	2
54-3	3	P444	DG61-00468A	RAIL-TELESCOPIC L; TELESCOPIC MODEL,STS44	SA	1
54-4	3		DG63-00146A	COVER-PARTITION RAIL-L; E-OVEN,TEFRON,BLK	SNA	1
54-5	3		DG75-01053A	RACK WIRE-LEFT; NV70F7796MS/EF,MSWR-SWRM,	SNA	1
55	2	M188	DG61-00341A	BRACKET-HOLDER RACK; FLAT ALL MODEL,STAIN	SA	4
56	2	M389	DG62-00017A	ADIABATIC-HEATER; BT62FQBPST,CERAMIC WOOL	SNA	1
57	2	M388	DG62-00018A	ADIABATIC-SPIT MOTOR; BT62FQBPST,CERAMIC	SNA	1
59	2	M083	DG63-00124A	COVER-ADIABATIC-R; BT62FQBPST,GI-SGCC,T0.	SNA	1
60	2		DG61-00645A	BRACKET-FRONT PYRO; NV70F7796MS,SPP,T0.6,	SNA	1
61	2		DG94-00791A	ASSY COVER-COOLING LOWER; NV70F7796MS,ALC	SA	1
61-1	3		DG61-00676A	GUIDE-EXHAUST; NEO PJT,ALCOT,T0.5,W119.6,	SA	1

2. ASSY DOOR

Exploded View



Parts List

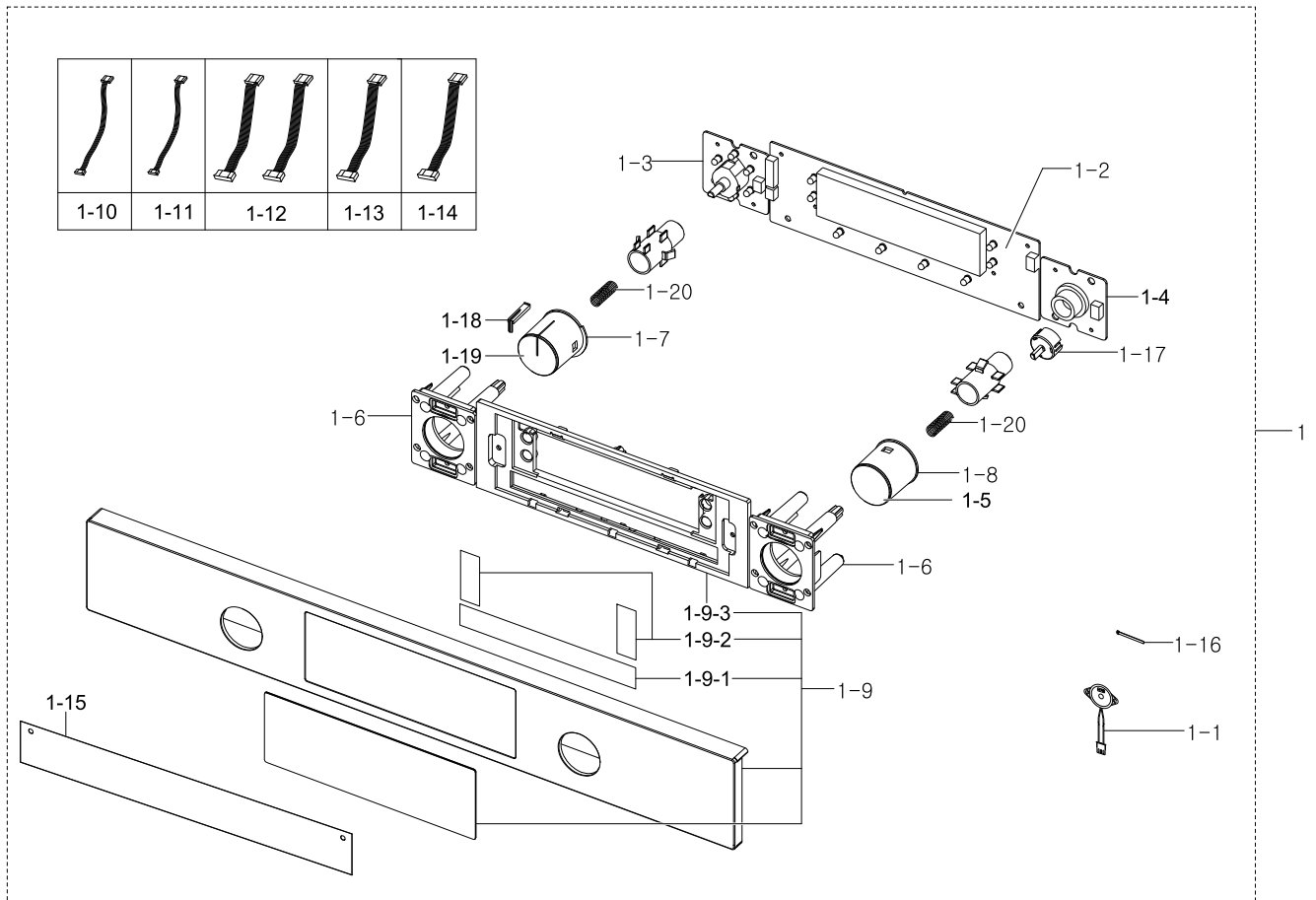
No.	Lvl.	Loc.	Material Code	Description & Specification	SNA	Qty.
1	1	D049	DG94-00805A	ASSY DOOR; NV70F7796MS,NEO PYRO	SA	1
1-1	2		DG63-00316A	COVER HINGE-R; NV70F7796MS,GA-SGCC,T1.2,W	SA	1
1-2	2		DG63-00316B	COVER HINGE-L; NV70F7796MS,GA-SGCC,T1.2,W	SA	1
1-3	2	D109	DG64-00154B	GLASS-DOOR MIDDLE; BT62FQBPST,GLASS,T4.0,	SA	2
1-4	2	D110	DG64-00439A	GLASS-DOOR INNER; NV70F7796MS,GLASS,T4.0,	SA	1
1-5	2	P420	DG61-00350A	HOLDER-GLASS RUBBER R; BQ2Q7G069,SILICONE	SA	1
1-6	2	D015	DG94-00804A	ASSY DOOR-SUB; NV70F7796MS,NEO PYRO	SA	1
1-6-1	3		DG96-00057A	ASSY FRAME-DOOR RI; BT65FQBPST	SNA	1

Exploded Views and Parts List

No.	Lvl.	Loc.	Material Code	Description & Specification	SNA	Qty.
1-6-2	3	D154	DG96-00056A	ASSY FRAME-DOOR LE; BT65FQBPST	SNA	1
1-7	2	V002	DG97-00023F	ASSY HINGE; NV70F7796MS/EF,GI,NEO PYRO	SA	2
1-8	2	P421	DG61-00351A	HOLDER-GLASS RUBBER L; BQ2Q7G069,SILICONE	SA	1
1-9	2	D151	DG61-00746A	HOLDER-DOOR LOCK; NV70F7796MS,PA66,BLACK,	SA	1
1-10	2	D113	DG67-00068A	DUCT-DOOR COVER; NV70F7796MS,GA-SGCC,T0.8	SA	1

3. ASSY CONTROL BOX

Exploded View



Parts List

No.	Lvl.	Loc.	Material Code	Description & Specification	SNA	Qty.
1	2	C082	DG94-00718C	ASSY CONTROL BOX; NV70F7796MS,230V50Hz,ST	SNA	1
1-1	3	C197	DE96-00686B	ASSY BUZZER; E-OVEN,KPR-G3020-450,450mm,2	SA	1
1-2	3	C154	DE96-00991E	ASSY DISPLAY; NF70F7796MS/EF,ICE BLUE,NEO	SA	1
1-3	3	C319	DE96-00994A	ASSY-MODE; NV6786BNESR/WT,DAM-NEO MODE-00	SA	1
1-4	3	C317	DE96-00995A	ASSY-DIAL; NV6786BNESR/WT,DAM-NEO DIAL-00	SA	1
1-5	3	C244	DG67-00066A	CAP-DIAL ENCODER; NEO PJT,ABS+PC,W36.0,L3	SNA	1
1-6	3	C360	DG61-00638A	HOLDER-KNOB; NEO PJT,PC,W71.0,L96.0,BLACK	SA	2
1-7	3	C185	DG64-00394C	KNOB-DIAL SELECT; NV70F7766MS,PC,BLACK,SP	SA	1

Exploded Views and Parts List

No.	Lvl.	Loc.	Material Code	Description & Specification	SNA	Qty.
1-8	3	C190	DG64-00396A	KNOB-DIAL ENCODER; NEO PJT,PC,HB,BLACK,LE	SA	1
1-9	3	C001	DG94-00721C	ASSY CONTROL PANEL; NV70F7796MS,STS,STS,N	SA	1
1-9-1	4	M372	DE96-00992A	ASSY TOUCH; NV6786BNESR/WT,NEW AMBER,188	SA	1
1-9-2	4	M372	DE96-00993A	ASSY TOUCH; NV6786BNESR/WT,NEW AMBER,44 x	SA	2
1-9-3	4	C178	DG61-00640A	HOLDER-PCB; NEO PJT,PC,W249.0,L81.2,BLACK	SA	1
1-10	3	W004	DG96-00290A	ASSY WIRE HARNESS-C; NV6786BNESR/WT,230/2	SA	1
1-11	3	W005	DG96-00291A	ASSY WIRE HARNESS-D; NV6786BNESR/WT,230/2	SA	1
1-12	3	W001	DG96-00292A	ASSY WIRE HARNESS; NV6786BNESR/WT,230/240	SA	2
1-13	3	W038	DG96-00295A	ASSY WIRE HARNESS-B; NV6786BNESR/WT,230/2	SA	1
1-14	3	W001	DG96-00296A	ASSY WIRE HARNESS; NV6786BNESR/WT,230/240	SA	1
1-15	3		DG62-00126A	INSULATION PAPER; NOMEX PAPER,T0.25,W247,	SNA	1
1-16	3	M480	6502-001085	CABLE CLAMP; DALC-4,ID5.3,T0.5,SGCC(GALVA	SNA	1
1-17	3	C352	DG61-00250A	HOLDER-ENCODER SWITCH; JM PYROLYTIC,PA66,	SA	1
1-18	3		DG64-00395A	BUTTON-INDICATOR; NEO PJT,PC,BLACK	SNA	1
1-19	3		DG67-00065A	CAP-DIAL SELECT; NEO PJT,ABS+PC,W36.0,L36	SNA	1
1-20	3	C188	DG61-00069A	SPRING ETC-POP UP; BT63BSST / BWT,SWP,10,	SNA	2